

VEGETATED GABIONS

VEGETATED GABIONS

For Rivers - Canals – Lakes – Islands - Flood Protection Reservoirs and many other applications, MMG's Vegetated Gabions are the green way of maintaining or improving the environment.

A healthy stand of vigorous vegetative cover along the top front edge or upper face of gabions at the water line can create an attractive soft engineering finish to hard engineering structures.

This innovative, green erosion control system from MMG, will help when the advantage of engineering with gabions is combined with the benefits of immediate vegetation to provide rapid environmental and ecological regeneration.



Gabions with pre-planted edge sods can be a solution for the majority of projects but clients who require non-standard components can be supplied quickly and economically with custom made configurations.

Specially shaped edge sods of compressed coir fibre are grown with emergent aquatic plants in our wetland nurseries and supplied ready for immediate installation.



MMG's unique system gives:

- Low detrimental impact on the environment
- Rapid return of bio-diversity
- Aesthetically more pleasing finish than with concrete or steel

MMG's unique system incorporates pre-established vegetation within the face of stone filled gabions

Where you need it - When you want it.

Well rooted vegetation pre-grown in coir fibre modules is an integral part of MMG's Green Systems of erosion control. We help Clients to incorporate well established vegetation at the waters edge even where the projects require hard engineering solutions.



Dedicated To The Environment

VEGETATED GABIONS

VEGETATED EDGE SOD GABIONS GREEN INNOVATIONS FROM MMG.

MMG Edge Sod Gabions are supplied in a fold flat form ready to erect into 1m³ units on site.

Each configuration provides a lower front boxed space to contain as dug ballast or poor sub soil which is retained within a woven geotextile lining. Above this is a boxed recess to receive the pre-vegetated edge sod.

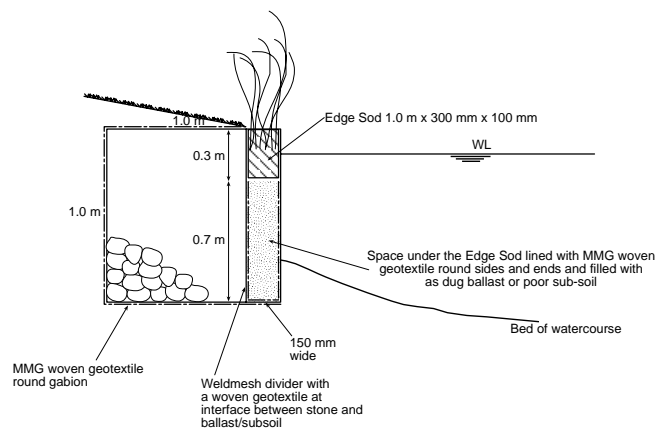
Our coir fibre sods, pre-grown with emergent vegetation are supplied separately and fit into the pre-formed front edge of the gabion.

The gabion is in-laid with a MMG woven geotextile to prevent the ingress of the bank material and then filled with stone.

Our design suggestion scheme can offer a number of techniques to suit most landscaping options.

Pre-vegetated, edge sods are normally available from stock with a range of well-rooted emergent species. When required, specific plant species can be grown to order and incorporated into the coir fibre edge sod given sufficient lead-time.

Only pre-grown, well-rooted, healthy coir fibre sods can give vigorous establishment of vegetation. MMG green systems avoid most of the risk associated with on site planting.



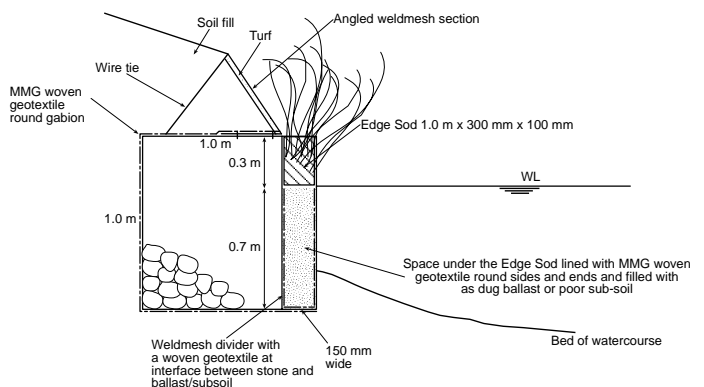
Dimensions of the fill material must exceed the mesh size.

Welded Mesh

*Mesh specifications
75mm x 75mm*

*Choice of wire gauge – 3.0mm
4.0mm
5.0mm*

Finish - Beznal Coated (95% Zinc. 5% Aluminium) having a minimum coating weight of 350 g/m²



Systems at Work

Gabions and edge sods with or without bank support can be constructed and vegetated to suit individual applications.

Our Area Managers or Technical Department will be pleased to help with design recommendations and installation advice.

Get immediate information on the whole range of MMG products from
www.mmgces.co.uk

Dedicated To The Environment

MMG Civil Engineering Systems Ltd.
St. Germans, King's Lynn, Norfolk.
PE34 3ES England.
Telephone: 01553 617791
Fax: 01553 617771
Email: office@mmgces.co.uk
Web: www.mmgces.co.uk

